

Art for Everything!

Get to know your mug press first.

Power Button



Power Off



Power On

Mug Heater



Caution Hot
Do not touch!

Progress Lights



Ready to put in a mug



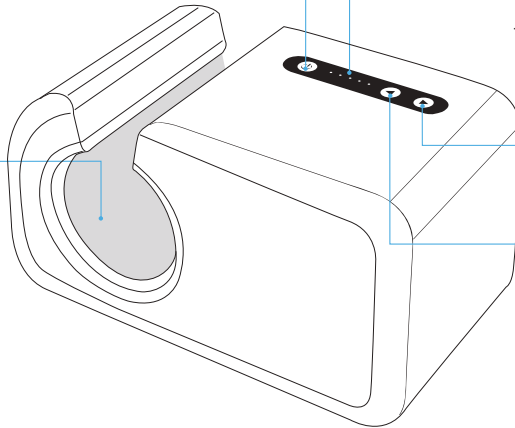
Timing finished & sublimation done

Release Button

Press to release

Work Button

Press to start sublimation



How to Sublimate a Mug



1. Press the power button to turn on mug press, it starts to pre-heat and 1st light turns orange when it is ready to use.



2. Put a ready-to-sublimate mug in mug heater, press ◀ the button to start the sublimation.



3. Mug heater closes and starts the sublimation, 2nd -5th lights turn green as timing goes on.



4. Mug heater opens and finishes the sublimation when all 2nd -5th lights turn green.

5. Take out the sublimated mug, place it on a heat-resistant place until completely cool and peel off the paper.

User Tips

1. Please keep away the children when you use the mug press.
2. Please do not press ◀ button unless you've put in a mug, as it may influence the service life.
3. As an electric auto mug press, there are normal sounds when mug heater closes and opens.
4. Mug heater matches $\Phi 80 - 85\text{mm}$ straight wall mugs and tumblers, a separate silicon mat is needed for smaller diameter tumblers Say. 20oz
5. 4 green lights (2nd - 5th) for 11oz and 15oz ceramic mugs.
6. 2 - 3 green lights (2nd - 3th/4th) for tumblers and operate with ▶ button to release.
7. Mug press will auto off for protection when mug press is not in use for 10 mins.

Sublimation Q & A

Q.Can not turn on the mug press?

A.Double check the power plug if well connected, contact supplier for help if problem remains.

Q.Paper dimension for sublimation mug or tumblers?

A.Reference paper dimension, you may contact blanks supplier for details.

10oz ceramic mug (210 - 220mm x 95mm)

15oz ceramic mug (210 - 220mm x 110mm)

500ml sports bottle (230 x 140mm)

20oz tumble (199 x 226mm)

30oz tumble (230 x 248)

Q.Sublimated paper adhered to mug and hard to peel?

A.Potential problem in sublimation or mug's orca coating quality.

Q.Indicator lights twinkles and strange?

A. It's troubleshooting indicators, please contact supplier for help.

Q.Mug is over sublimated and color is burnt?

A.Try to operate with ► button for fewer timing.

